

## Product Profile

- Combines the power and speed of the Intel® XScale™ processor and the Microsoft® Pocket PC operating system
- Large, Reflective TFT color display provides crisp, vivid screen contrast both indoors and out
- Highly configurable, allowing up to 3 wireless communication options in the same device
- Rugged, ergonomic design combines advanced battery power for full-day use
- Available with either integrated imaging or laser scanning technologies
- Numeric and full alphanumeric keypad options
- Part of the comprehensive solution including printers, application software, communications infrastructure products, peripherals, and accessories



### 700 SERIES COLOR MOBILE COMPUTER

#### Serious Enterprise Mobility

Whether on the road, in the field, or on the factory floor, mobile workers demand rugged, reliable tools to do their jobs. The Intermec® 700 Color mobile computer builds on the rock-solid 700 Series platform, updated to bring the newest technologies to the front-line worker.

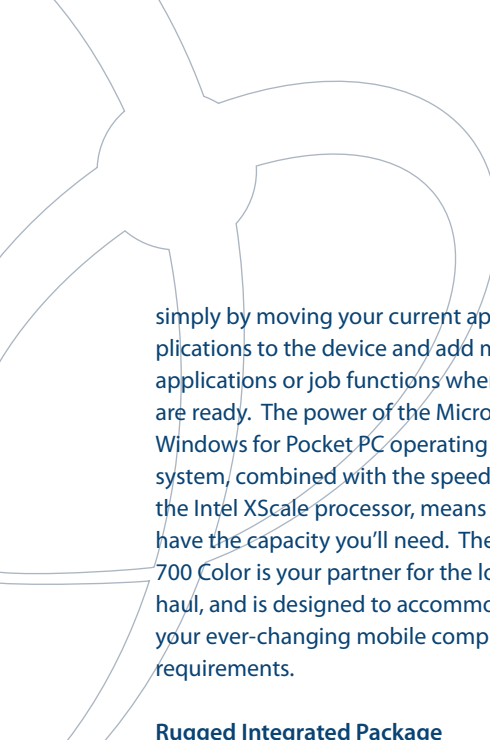
Beyond the large, brilliant display, the 700 Color offers the Intel® XScale™ processor and Microsoft® Windows® for Pocket PC. Its configurable design allows the integration of up to three radios in a single device, provides a broad range of scanning options, two keypad options, and backs this up with market-leading battery capacity to ensure long life. Whether your application is stand-alone, client-server, browser-based, or terminal emulation, the 700 Color is the right tool for the job.

#### Daylight Readable Color Display

The 700 Color features a brilliant Reflective TFT display that provides superior clarity and vivid contrast under all lighting conditions – both indoors and out. The 3.8 inch (97 mm) diagonal display, is 20 percent larger than most other devices on the market and lends itself to larger character and graphical applications, thereby promoting better viewability. From simple highlighting of a data entry field to presentation of full-motion video, the color display helps users work more efficiently.

#### Multi-Purpose Application Platform

Change is a constant in the business world. When investing in an automation solution, you want to select a device that will meet not only your current needs but has the capacity to grow with you as your needs expand. The 700 Color is such a device. Start



simply by moving your current applications to the device and add more applications or job functions when you are ready. The power of the Microsoft Windows for Pocket PC operating system, combined with the speed of the Intel XScale processor, means you'll have the capacity you'll need. The 700 Color is your partner for the long haul, and is designed to accommodate your ever-changing mobile computing requirements.

### **Rugged Integrated Package**

Intermec is a world leader in the design of mobile computing hardware that stands up to the most rugged usage demands, and the 700 Color carries on this proud tradition. Designed from the ground up for use in harsh environments, the 700 Color can withstand multiple 5-ft. (1.5 m) drops to concrete and is sealed against rain and dust. The ergonomic case design is sculpted and balanced for user comfort in long-term use; radio and scanner options are integrated, not add-ons, which means they are tested to the same ruggedness standards and don't compromise the environmental or functional characteristics of the unit.

### **Scaleable Communications Options**

The wide range of communication options on the 700 Color provide wired and wireless connectivity unmatched in the industry. On-board wired Ethernet is standard on the 700 Series, and unlike many competitive devices, true Ethernet speeds are maintained all

the way to the device. Other communication options include:

- **Wireless Local Area Network (LAN)** integrated into the 700 Color, this 802.11b radio option provides up to 11 Mb/sec throughput
- **Wireless Wide Area Network (WAN)** integrated options include radios for GSM/GPRS and CDMA/1xRTT networks
- **Bluetooth™\* Compatible Personal Area Network** allows cable-free communications over a 10 meter range with peripheral devices such as printers. Bluetooth compatibility is provided by a Socket Communications module.

For applications that require wireless connectivity in multiple environments, the 700 Color can be configured with up to three radio options in the same device. For instance, workers may spend part of their day on-premise utilizing wireless LAN access points, for cross docking or load planning applications. The same device could also utilize a WAN network when taken off-premise in a delivery vehicle, covering a much larger area, all the while using Bluetooth compatible networking to print. Whatever your communication requirements, the 700 Color has you covered.

### **Comprehensive Scanning Options**

Offering a broad choice of scanning options, the 700 Color is available with imaging or laser scanning technologies. The imager options provide for the ability to read 10, 20 matrix codes and stacked symbologies. In addition, the imaging technologies allow for omni-directional decoding, eliminat-

ing the need to line up the scan beam perpendicular to the bars. The area imager also provides the capability of taking black and white photographs for applications such as proof of delivery, market surveys and field inspections. Linear 1D and PDF417 laser scanners complete the scanning lineup.

### **Superior Power Reserves**

Color display frontlights and a multitude of radios can tax the power budget of any portable device. To provide trouble-free operation and maximum uptime throughout the day, the 700 Color comes equipped with a powerful 14.4 Watt-hour Lithium-Ion battery making the 700 Color the industry leader in power management. In addition, the built-in Flash ROM folder allows permanent storage of applications, drivers and start-up files on non-volatile flash memory.

### **Complete Systems That Work**

The 700 Color is part of a suite of fully-integrated system components, including a wide selection of peripherals and accessories. Intermec systems are designed to meet the needs of the enterprise, incorporating features to support automatic loading of application software that lower total cost of ownership. Applications and communication software products are also available to address business process automation needs – including software to remotely configure and manage devices from a central location. The Intermec 700 Color can help businesses worldwide improve their operations, increase mobile worker efficiency, and build a better bottom line.

# 700 SERIES COLOR SPECIFICATIONS

## Physical Characteristics

**Length:** 191 mm (7.53 in.)

**Width:** 90 mm (3.5 in.)

**Height:** 50 mm (1.97 in.)

**Weight:** 483-568 grams (17-20 oz) depending on options

## Environmental

### Operating Temp:

-10° to +60°C (+14° to +140°F) application dependent

0° to +40°C (+32° to +140°F) for Bluetooth compatible devices

### Storage Temp:

-20° to +60°C (-4° to +140°F)

### Relative Humidity:

5% to 95% (non-condensing)

### Rain and Dust Resistance:

IP64 compliant

**Drop Spec:** Withstands 5' drop, 26 times onto concrete

## Power

**Battery Type:** Lithium-Ion, 7.2V, (2 x 2000 mAh cells), customer replaceable

**Battery Capacity:** 14.4 Watt-hours

**Battery Life:** 6-10 hours, application dependent

Recharging Time: 4 hours

## Operating System

Microsoft® Windows® for Pocket PC

## Microprocessor

Intel® XScale™ Processor, 400 MHz

## Memory and Storage

**RAM Memory:** 64 MB (128 MB optional)

**Flash ROM:** 32 MB; includes ROM folder for application storage

## Internal Slots

- Secure Digital (SD)
- CompactFlash (CF) Type II

## Display

Reflective TFT daylight readable color display with CCFL frontlight, 240x320 pixels, 3.8 in. (97 mm) diagonal, 64 K colors

## Standard Communications

RS232, IrDA 1.1 (115 kbps)

10 Base-T Ethernet

USB

## Integrated Radio Options

**LAN:** 802.11b (Wi-Fi certified)

**WAN:** GSM/GPRS, CDMA/1XRTT

Bluetooth™ compatible module

## Modem

- Optional V.90 modem snaps on to 700 Color
- Mini-land line external modem

## Integrated Scanner Options

- Area imager
- Linear imager (available mid 2003)
- 1D laser
- PDF 417 laser

## Imager Scan Engine Specifications

	Minimum (in.)	Maximum (in.)
7.5 mil	4.00	8.50
10 mil	2.25	9.75
100% UPC	1.75	13.75
15 mil	1.50	15.50
20 mil	1.50	19.00
40 mil	3.25	33.25
55 mil	4.25	41.00
70 mil*	12.00	72.00
100 mil*	18.00	84.00

\* Code 39 retroreflective

## Laser Scan Engine Specifications

	Minimum	Maximum
5 mil	2.0 in. (5.1 cm)	5.2 in. (13.2 cm)
7.5 mil	1.7 in. (4.3cm)	8.0 in. (20.3 cm)
10 mil	1.8 in. (4.6 cm)	10 in. (25.4 cm)
100% UPC	1.9 in. (4.8 cm)	13 in. (33 cm)
20 mil	+	20 in. (50.8 cm)
40 mil	+	25 in. (63.5 cm)
55 mil	+	30 in. (76.2 cm)

†Dependent on symbol width

Above charts show typical ranges. Actuals may vary.

## Keypad Options

- Numeric
- Full alphanumeric

## Key Accessories

- Portable and vehicle-mounted printers
- Vehicle dock
- Desktop connectivity dock
- Desktop dock with integrated modem
- Ethernet multidock
- Battery pack chargers
- Scanning handles

## Regulatory Approvals

FCC Part 15 Class B

UL Listing

CE Mark

CB Report

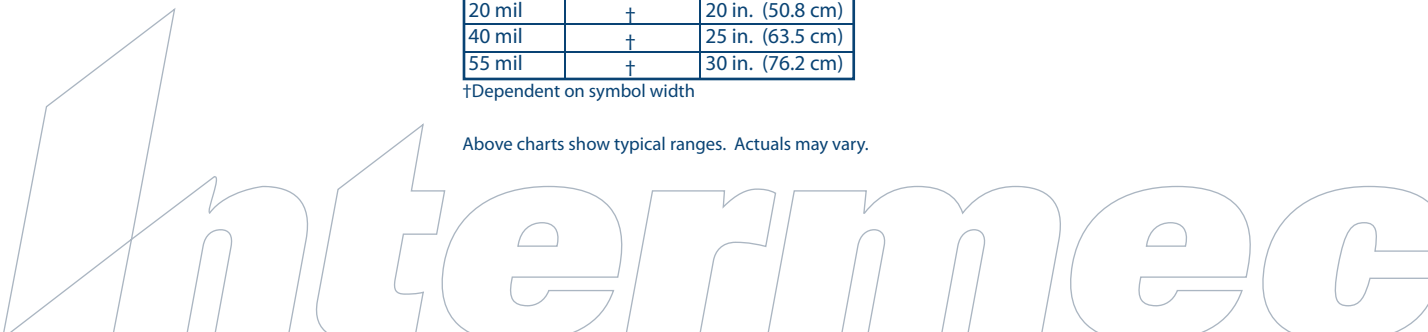
\* Bluetooth is a trademark owned by Bluetooth SIG, Inc., USA.

Microsoft, Windows, the Windows logo, Windows Media, Outlook, and ActiveSync are registered trademarks or trademarks of Microsoft Corporation in the United States and/or other countries.

Intel® and XScale™ are trademarks of Intel Corporation.



The Standard for Wireless Fidelity.



## About Intermec...

Intermec Technologies Corporation, a Unova Company, is a global leader in the development, manufacture and integration of automated data collection, wireless systems, terminals, mobile computing, printers and media. Our products and services are used to improve productivity, quality and responsiveness of business operations in multiple industries. Intermec has served customers since 1966.

In addition to comprehensive solutions for mobile computing, we provide products and services within these categories:

- Data capture scanners and wedges
- Wireless Local Area Networks (LANs)
- Wide Area Networks (WANs)
- Personal Area Networks (PANs)
- Handheld, vehicle & fixed-mount terminal solutions
- Label and media supplies
- Printers
- Emerging data collection and management technologies including smart card and RFID tags
- Software-based solutions

### North America

**Corporate Headquarters**  
6001 36th Avenue West  
Everett, Washington 98203  
tel: 425.348.2600  
fax: 425.355.9551

**Systems & Solutions**  
550 2nd Street S.E.  
Cedar Rapids, Iowa 52401  
tel: 319.369.3100  
fax: 319.369.3453

**Media Supplies**  
9290 Le Saint Drive  
Fairfield, Ohio 45014  
tel: 513.874.5882  
fax: 513.874.8487

**Canada**  
7065 Tranmere Drive  
Mississauga, Ontario  
L5S 1M2 Canada  
tel: 905.673.9333  
fax: 905.673.3974

### Europe/ Middle East & Africa

**Headquarters**  
Sovereign House  
Vastern Road  
Reading RG1 8BT  
United Kingdom  
tel: 44.118.987.9400  
fax: 44.118.987.9401

**Asia**  
**Asia Regional Office**  
25-16 International Plaza  
10 Anson Road  
Singapore 079903  
tel: 65.6324.8391  
fax: 65.6324.8393

**Australia**  
Level 7, 200 Pacific Highway  
Crows Nest, NSW 2065  
Australia  
tel: 61.2.9492.4400  
fax: 61.2.9954.6300

### South America & Mexico

**Latin America Headquarters**  
17921 B Skypark Circle  
Irvine, California 92614  
tel: 949.442.9393  
fax: 949.757.1687

**Intermec South America Ltda.**  
Rua Arandu 1544-15 andar  
Edificio Itavera  
Brooklin Novo 04562-031  
Sao Paulo, SP  
Brazil  
tel: 55.11.5501.2070

**Mexico**  
Tamulipas 141, Primero Piso  
06140 Mexico, D.F.  
tel: 525.55.211.1919  
fax: 525.55.211.8121

**Worldwide**  
**Fax Document  
Retrieval Service**  
800.755.5505  
(North America Only)  
tel: 650.556.8447

**Internet**  
[www.intermec.com](http://www.intermec.com)

**Sales**  
800.347.2636  
(toll free in N.A.)  
tel: 425.348.2726

**Service and Support**  
800.755.5505  
(toll free in N.A.)  
tel: 425.356.1799

Copyright © 2003 Intermec Technologies Corporation. All rights reserved. Intermec is a registered trademark of Intermec Technologies Corporation. All other trademarks are the property of their respective owners. Printed in the U.S.A. 611407-01A 04/03

In a continuing effort to improve our products, Intermec Technologies Corporation reserves the right to change specifications and features without prior notice.